

Technical data 12/91

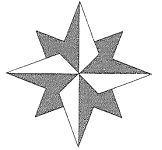
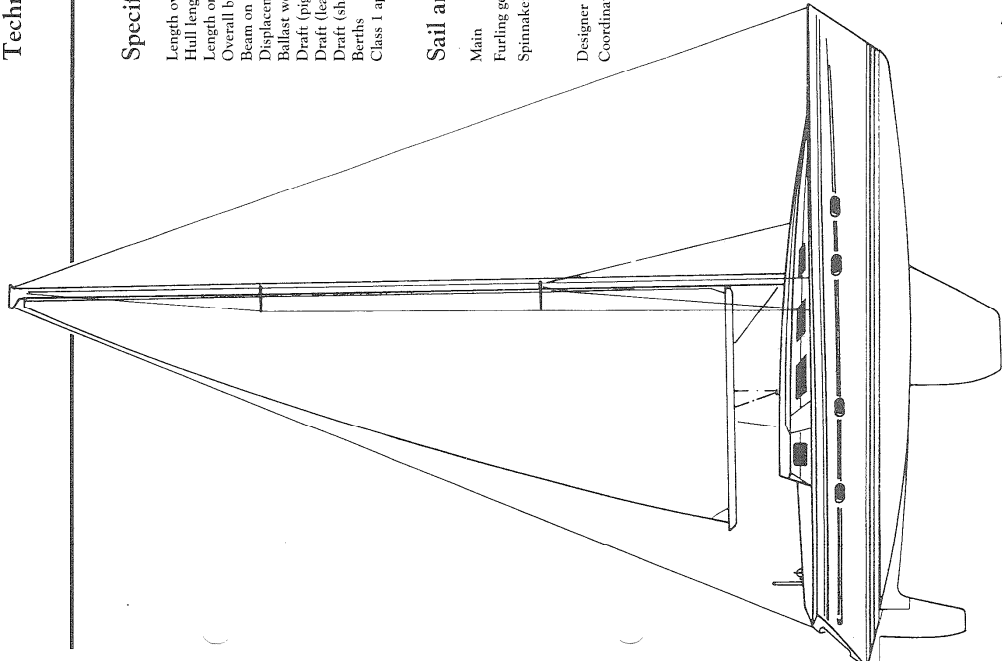
Specifications

- : 11,99 m (39'4")
- : 11,56 m (37'11")
- : 9,87 m (32'4,5")
- : 3,89 m (12'9")
- : 3,10 m (10'2")
- : 6500 kgs (14330 lbs approx.)
- : 2450 kgs (5401 lbs approx.)
- : 1,95 m (6'5")
- : 1,95 m (6'5")
- : 1,52 m (5') wing-keel
- : 6 or 8
- : 8/10/12

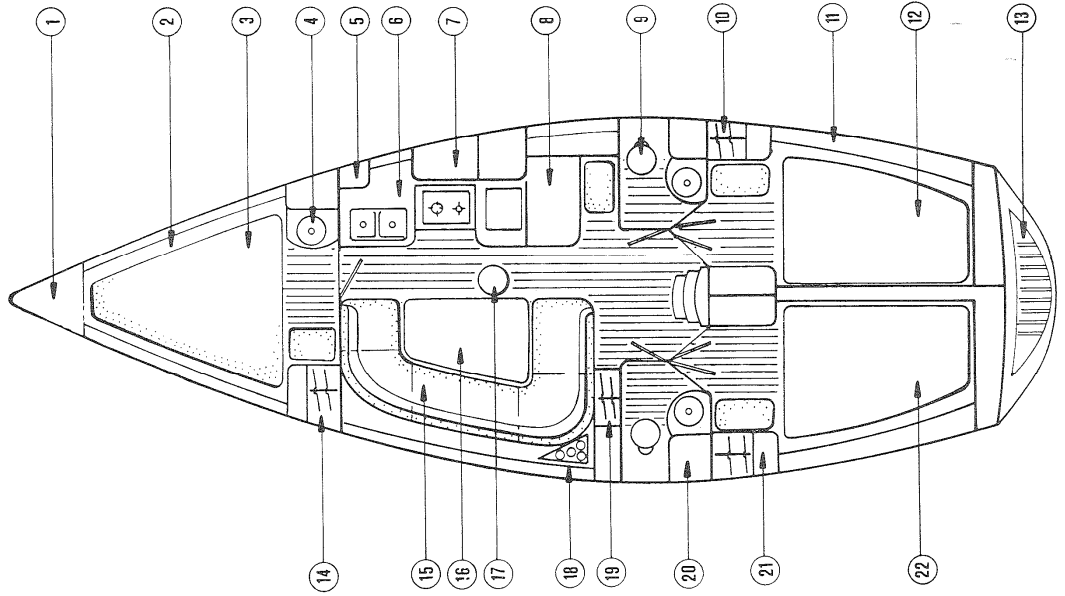
Sail areas

- : 31,40 m<sup>2</sup> (338 sq.ft)
- : 53,50 m<sup>2</sup> (576 sq.ft)
- : 115 m<sup>2</sup> (1238 sq.ft)

Designer : Jacques FAUROUX  
 Coordinator Andrew WINCH Designs



Jeanneau



- 1 Anchor locker with mechanical anchor winch
- 2 Stowage shelf in forward cabin
- 3 Double berth in forward cabin
- 4 Washbasin in forward cabin
- 5 Galley stowage unit
- 6 Galley
- 7 Stowage shelf
- 8 Chart table
- 9 Washroom aft to starboard
- 10 Stowage unit in above
- 11 Stowage shelf
- 12 Double berth in aft cabin to starboard
- 13 Transom extension
- 14 Hanging locker in forward cabin
- 15 Saloon
- 16 Convertible saloon table (double berth)
- 17 Removable stool
- 18 Bar
- 19 Hanging locker access to stopcocks and water unit)
- 20 Washroom aft to port
- 21 Stowage unit in above
- 22 Double berth in aft cabin to port

## Forward cabin

To port :  
Storage unit comprising a hanging locker and shelving with cupboard doors  
Storage shelf with fiddle above unit  
In front of unit : seat with cushion & storage under  
To starboard :  
30 cm washbasin with mixer tap  
Storage locker over washbasin with door mounted mirror  
12-volt power socket  
Clothes hook  
Towel rail  
Striplight  
Headroom : 1,80 m (5'11")

Storage locker under washbasin with doors giving access to stopcock  
Bedhead spotlight to starboard  
Striplight  
Dorade ventilation  
Opening deck hatch with night blind  
0,32 m x 0,45 m (12,5" x 18")  
Opening deck light with night blind 0,34 m x 0,20 m (13,5" x 8")  
Grabrail  
Carpeted sole with pale teak filler  
Door (access to saloon) with louvred air vent  
Headroom : 1,80 m (5'11")

## Saloon

Ergonomic U-shaped settee around the table  
Seating and backrest cushions have removable fabric covers  
Cushion thickness : 10 cm (4")  
Double-density foam  
Storage under settee  
Saloon table 1,31 m x 0,84 m x 0,66 m (51,5" x 33" x 26")

2 saloon striplights covered by on/off switches on the chart table panel  
Coachroof port with drapes/curtain  
Opening hull port with drapes/curtain 0,265 m x 0,115 m (10,5" x 4,5")  
Grooved teak non-slip sole with solid teak surround  
Numerous inspection hatches allow for access to the bilge-well and to the dust-pan  
Headroom : 1,88 m (6,2")  
Removable stool

## Galley

waste-bin, 2 doors giving access to stopcocks  
Lateral storage shelving behind the stove  
2-part surface folds down over cooker hob  
Access to refrigeration unit under the stove  
Refrigerator : 150 liter/5,3 cu-ft with evaporator and storage bin  
Refrigerator lighting  
Lockable door  
60 mm (2,5") injected-foam insulation  
Lateral storage area behind the refrigerator  
2 grabrails in galley overhead  
Hull-lining : wood

Galley unit (functional layout) to starboard facing the saloon  
Teak-worked laminate unit  
Double sink 0,25 m x 0,34 m & 0,30 m x 0,34 m (9" x 13" & 12" x 13")  
Mixer tap with shower head & hose  
Sea-water by separate foot-pump  
2 sink cover-boards acting as work surface and chopping board  
Striplight over the work surface  
Storage locker under the sink unit with

## Electrics panel

Panel is fitted onto a hinged door  
Visual location of the various electrical points on the boat  
20 circuit-breaker switches covering each electrical function  
Sailing lights  
Electronics  
Pumps  
Onboard lighting

Services  
Thermostatic circuit-breaker for refrigerator unit  
Battery-charge tester  
Ammeter  
Voltmeter  
Water consumption meter  
3 cut-outs in area under the companionway  
Electronic load dispatcher  
Electric water-heater switch and circuit-breaker (optional extra)

## Navigation station

Chart table 0,57 x 0,80 m (22,5" x 31,5")  
Directable reading spotlight  
Panels to house navigational instruments in front part of chart table  
Lateral bookshelving  
Storage area under the chart table  
Navigator's seat with removable seat cushion  
Grabrail on chart table/galley bulkhead

Storage locker under the navigator's seat  
Headroom : 1,88 m (6,2")

## Companionway

To port :  
Large hanging locker with water-pressure unit, expansion chamber, stopcocks  
Electric bilge pump  
Shelf with fiddle over hanging locker (10 cm fiddles)

**Capacity data**  
2 rigid water tanks : 360 L/79,2 imp. g  
95,1 US galls  
1 stainless steel diesel fuel tank : 140 L/30,8 imp. g  
36,9 US galls  
Inboard battery : 160 A/h  
Engine battery : 96 A/h  
Refrigerator : 150 L/5,3 cu-ft  
Alternator : 70 A/h

## Washroom

The aft washrooms both port and starboard are identical  
GRP moulded unit comprising 30 cm washbasin  
Mixer tap  
1 shower hose and head  
1 soap-dish behind the plexiglass coating  
1 towel-rail  
1 clothes-hook  
1 12-volt power socket  
Storage unit above the washbasin with door-mounted mirror  
Marine WC with pump  
Leaf folds down over WC making shower seat  
Storage unit under the washbasin with access to stopcocks and toilet-paper holder  
Wooden grate (discharge of waste by electric bilge pump)  
Overhead light  
Striplight above washbasin  
Opening coachroof light 0,265 x 0,115 m (10,5" x 4,5")  
Dorade ventilation

Door giving access to aft cabin and saloon  
Door giving access to saloon  
Headroom : 1,85 m (6')

## Headroom data

Forward cabin : 1,80 m (5'11")  
Saloon : 1,88 m (6,2")  
Galley : 1,88 m (6,2")  
Companionway : 1,93 m (6,4")  
Navigation station : 1,88 m (6,2")  
Aft washroom : 1,83 m (6')  
Aft cabin : 1,93 m (6,4")

## Aft cabins port & starboard

The 2 cabins are symmetrical  
Large double berth : 2,00 m x 1,35 m (6,7" x 4,5")  
Mattress with removable fabric covers  
Mattress thickness : 10 cm (4")  
Double-density foam  
Storage under berth  
To port :

Rigid water tank : 1,86 /40,9 imp./g/49,1 US galls  
Inboard battery 160 A/h  
To starboard :  
Engine battery 96 A/h  
Lateral storage shelf 0,24 x 0,13 x 0,85 m (9,5" x 7" x 33,5")  
Storage unit at bedhead with hanging locker, shelving and doors  
Storage shelf with fiddle above stowage unit  
Seat with stowage under removable cushion

Access to engine through lockable doors  
Engine easily accessible through removable sole panels  
Opening deck hatch with drapes/curtain 0,32 x 0,18 m (12,5" x 7")  
Cockpit light with drapes/curtain 0,135 x 0,385 (5,5" x 15")  
Access to winches  
Panel over engine compartment  
Access doors to saloon and washroom  
Headroom : 1,93 m (6,4")

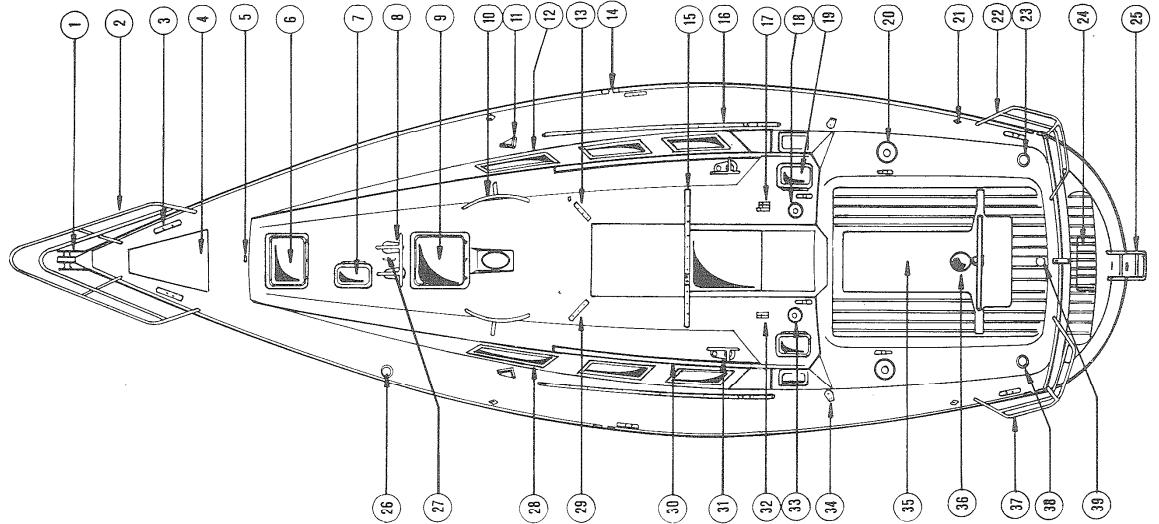
## Companionway

Translucent washboard  
Sliding translucent companionway hatch  
5 steps with non-slip treads  
The last three steps are removable giving access to engine  
3 battery cut-outs under the last companionway step  
2 solid grabrails  
Headroom : 1,93 m (6,4")

## Cockpit

Teak-lined cockpit 2,25 m x 1,60 m (7,4,5" x 5,3")  
Cockpit seating depth : 0,44 m (17,5")  
Storage lockers under the helmseat (can be padlocked)  
Storage lockers to port and starboard (can be padlocked)  
Winch-bin  
2 drain-scuppers

Wheel with compass (1200 mm/311")  
Helm blocker and emergency tiller  
Engine dashpanel built into starboard backrest with plexiglass screenguard  
 Stern swim-platform with deck-shower facility  
Swim-ladder



- 1 Stemhead fitting with low-roller, chain stop, genoa tack and forestay chainplate
- 2 Bow pulpit with lights
- 3 Forward mooring cleats
- 4 Anchor locker with cover which can be padlocked (mechanical anchor winch)
- 5 Spinnaker-pole downhaul chainplate
- 6 Forward cabin opening deck hatch
- 7 Forward cabin opening deck hatch
- 8 Dorade ventilation for forward cabin and saloon
- 9 Opening deck hatch over saloon
- 10 Mast pulpit
- 11 Shroud chainplate
- 12 Cochrone portlight
- 13 Turning-block
- 14 Covering fairlead and cleats
- 15 Mainsheet traveller
- 16 Genoa sheet track with adjustable traveller
- 17 Cam-jammer to spinnaker-pole downhaul, topping lift and halyards
- 18 2-speed spinnaker winch
- 19 Aft cabin opening portlight
- 20 2-speed winch with genoa-sheet cleat
- 21 Chainplate for spinnaker turning-block
- 22 Split aft pulpit with stern light
- 23 Diesel-fuel deck-fill cover
- 24 Swim-platform locker deck-shower facility
- 25 Swim ladder
- 26 Deck-fill cover to water tank in forward cabin
- 27 Bahystay chainplate
- 28 Saloon portlight
- 29 Turning-block portside
- 30 Cochrone grabrail
- 31 Dorade ventilation to washroom
- 32 Blocker for main downhaul and sheet
- 33 2-speed mainsheet winch
- 34 Genoa-sheet turning-block
- 35 Cockpit
- 36 Wheel with compass
- 37 Aft pulpit
- 38 Deck-fill cover to water tank
- 39 Access to socket for emergency tiller

**Engine**

Engine supplied (refer to price-list)  
 Remote-control forward/reverse single-lever control in cockpit  
 Cockpit dashboard : rev. counter, oil pressure warning buzzer and light, water temperature indicator, fuel gauge (may vary according to engine)  
 Foam soundproofing  
 Ventilation of engine compartment by air vent grill to outside in the companionway and 2 grills into the cockpit  
 Access to engine through aft cabins & companionway

**Also supplied,**

Epoxy-treated pig-iron keel  
 Water supply is through alimentary-grade reinforced hose  
 Waste-water discharge through reinforced PVC hose  
 All stopcocks are of bronze with spherical plug-valve  
 3 winch-handles

**Sailing lights**

Navigation lights on pulpits fore and aft  
 Motoring light  
 Masthead light-cluster  
 Deck floodlight

**Standing rigging**

Anodised aluminium mast and boom  
 Mast with two levels of spreaders  
 Spinnaker-pole track  
 Stainless steel shrouding  
 1 forestay with adjuster battens 9.6 mm turnbuckles 8 mm  
 2 upper shrouds with stainless steel turnbuckles 8 mm  
 1 bahystay with stainless steel turnbuckle 8 mm  
 Backstay 9.6 mm  
 Stainless steel backstay turnbuckles

Stainless steel turnbuckles fixed to stainless steel chainplates  
 The shroud chainplates are fixed to laminated reinforcements to the deck and hull and to tiebars down to the floor-members

**Running rigging**

Jib halyard  
 Main halyard  
 2 reef pendants  
 Main outhaul  
 1 boom topping lift  
 1 main downhaul

**Optional extras**

Teak deck  
 Electric anchor winch  
 Deck fittings for spinnaker  
 Fittings for furling system  
 Hullports  
 Hot water  
 Other optional extras by quotation

**Sails supplied**

1 main  
 1 medium genoa  
 1 storm jib  
 Sail bags and battens

**Mast winches**

Size 40 winch (halyards)

**Rudder**

Wood epoxy-treated rudder blade with stainless steel structure welded to the stock  
 Solid stainless steel stock diam. 50 mm  
 Rudder attachment :  
 Rudder trunk with bushings, laminated to the hull and deck, and rudder gudgeon with bearings on the skeg.

**Construction**

Safer, sturdier, the hull of the Sun Odyssey 39 is built of glassfibre/Kevlar (Aramat K) laminate, laid up by hand

Dealer's stamp

Jeanneau recommends **MOTUL**

