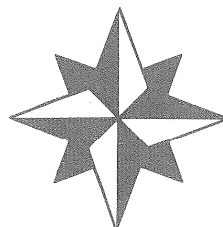
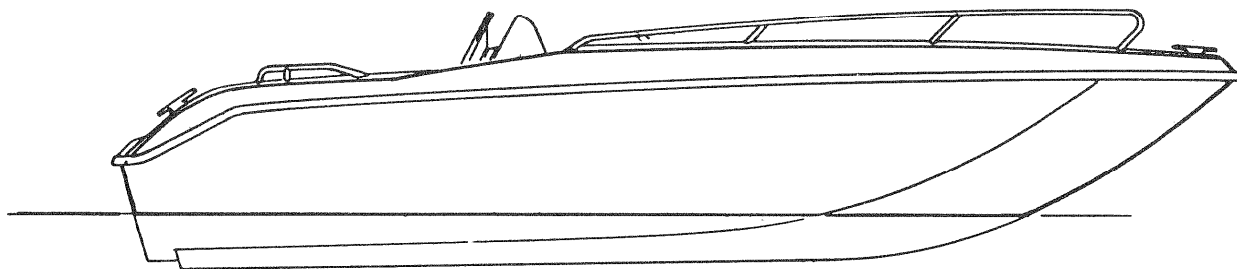

CAP - CAMARAT 425

TECHNICAL DATA 09/91

Specifications

Length	: 4m25 (13'11")
Beam	: 1m75 (5'9")
Weight with engine	: 225 kg (496 lbs)
Draft	: 0m18 (7")
Cockpit measurements	: 2m00 x 1m25 (6'7 x 4'1")
Homologation	: Class 5 — 5 persons

Homologation as unsinkable by French Merchant Marine



Jeanneau

Standard inventory

Hoist chainplate
Mooring cleats
Anchor locker
Stainless steel pulpit forward
Grabrails aft
Rubber rubrail

2 rod-holders
Bench-seating aft
Helm console with wheel
2 waterski rings

Engine fittings

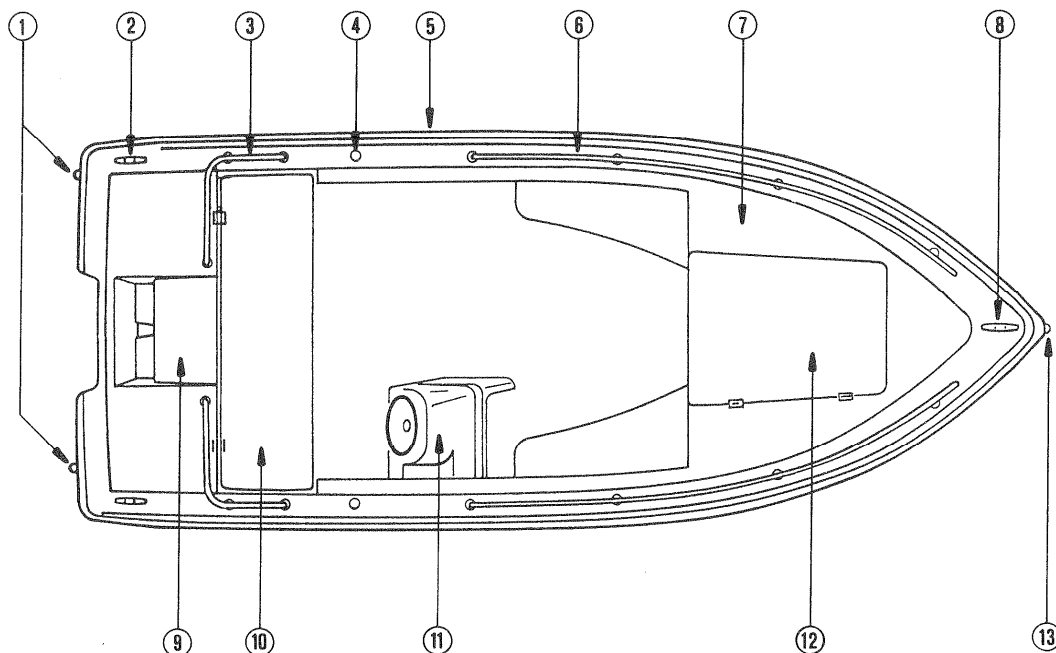
For 1 long-shafted outboard engine
Recommended -power rating : 30 hp
Maximum power rating : 40 hp

Optional extras

Swim ladder
Storage cover
Upholstery to aft bench-seating
Sunlounger

Hull

Gull-wing unsinkable
GRP construction
Full buoyancy from polyurethane foam



① Chainplate with eye for waterskiing

② Aft mooring cleat

③ Split pulpit aft

④ Rod-holder

⑤ Rubrail

⑥ Forward pulpit

⑦ Forward deck with sunpads as optional extra

⑧ Forward mooring cleat

⑨ Engine sump plate with drain-plug

⑩ Seating with stowage locker

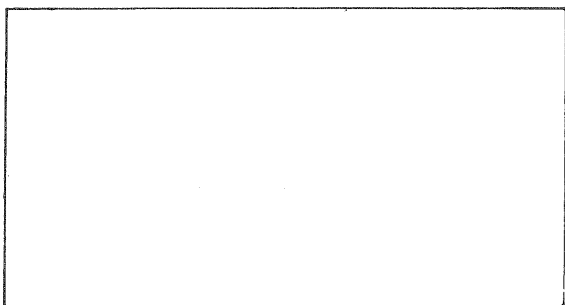
(housing for fuel tank, battery, etc...)

⑪ Helm

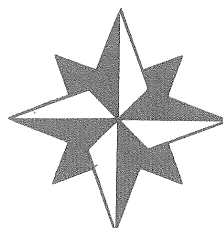
⑫ Stowage and anchor locker

⑬ Chainplate with eye for winching

Dealer's stamp



Jeanneau recommends **MOTUL**



Jeanneau